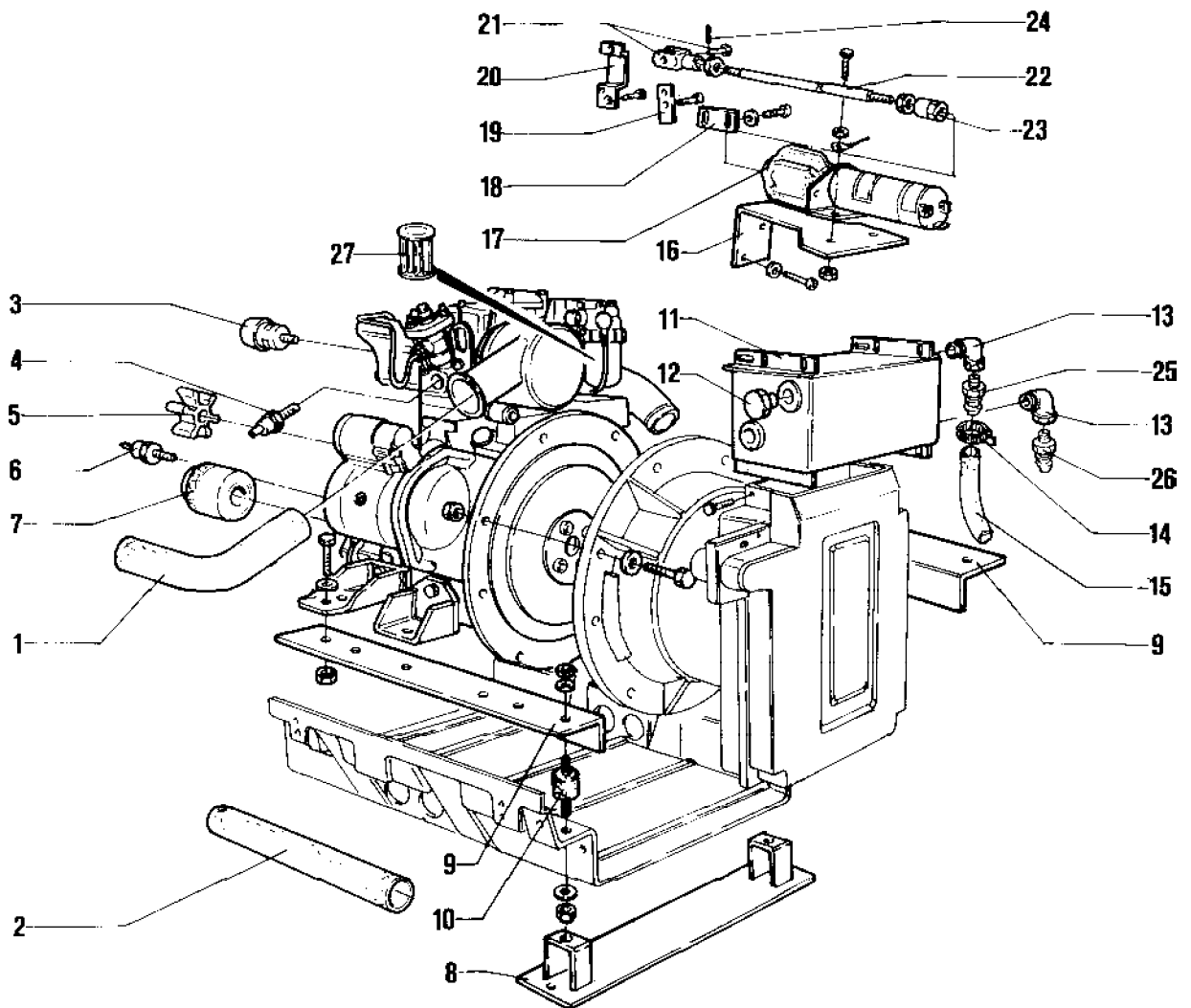


IS 3.8 - 4.5

MOTORE
ENGINE

FIG. 1 / 1

Rev. / Rel.



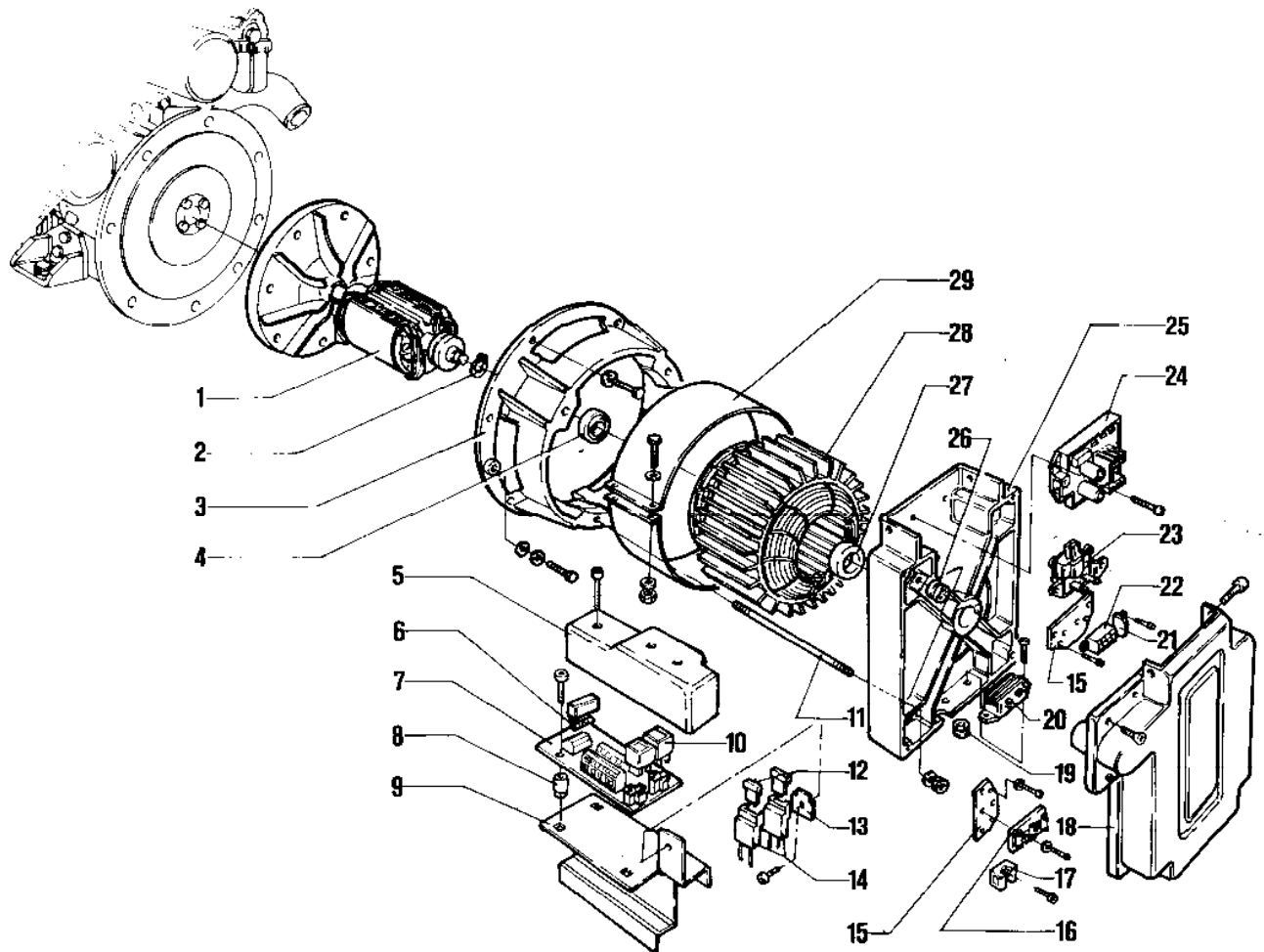
Rif.	Cod.	Qty.	Descrizione	Description
1	90826	m.0,45	Tubo superflex D 45 MT.0,45	Superfiex tube D 45
2	90825	m.0,57	Tubo superflex D 45 MT.0,57	Superfiex tube D 45
3	97517	1	Valvola termostato	Thermostat
4	97515	1	Sonda temperatura acqua	Water thermostat
5	97514	1	Girante pompa acqua	Water pump impeller
6	97501	1	Pressostato olio	Low all pressure switch
7	97503	1	Cartuccia filtro olio	Oil filter
8	61313	2	Staffa fissaggio	Fastenong bracket
9	03949	2	Staffa motore	Engine bracket
10	70765	4	Antivibranti 40 x 40	Shock absorber
11	60908	1	Scambiatore di calore acqua/aria	Water/Air intercooler
12	80159	2	Zinco completo di tappo	Zinc anode with plug
13	20506	2	Gomito a 90° 1/2	Elbow
14	10825	2	Fascetta 16x25	Clamp
15	70442	m.0,9	Tubo D 15x23	Tube
16	61315	1	Supporto elettromagnete	Electromagnet support
17	30889	1	Elettromagnete stop	Stop solenoid
18	61310	1	Staffa regolazione giri	Bracket
19	61387	1	Staffa finecorsa stop	Bracket
20	61314	1	Staffa tirante stop	Bracket
21	10875	1	Forcella con perno	Staple with pin
22	10856	1	Tirante stop	Stop tie rod
23	10871	1	Snodo sferico	Ball-joint
24	10157	1	Coppiglia 1,5x20	Cotter pin 1,5x20
25	20512	1	Portagomma 1/2 D 14	Nipple
26	10789	1	Portagomma D 17 - 1/2 gas	Fitting
27	97504	1	Cartuccia filtro nafta	Fuel filter cartridge
	80700	1	Motore Yanmar 1GM10LNE-G2	Yanmar 1GM10LNE-G2 engine

IS 3.8/7/10 - 4.5/8/11.5

ALTERNATORE
ALTERNATOR

FIG. 1 / 1

Rev. / Rel.



Rif.	Cod.	Qty.	Descrizione	Description
1	03829	1	Rotore IS 3.8	Rotor
1	03831	1	Rotore 7/8	Rotor
1	03833	1	Rotore IS 10/11.5	Rotor
2	10882	1	Seeger DM.20	Seeger
3	03826	1	Coperchio lato motore	Cover on engine side
4	80158	1	Cuscinetto	Bearing
5	70862	1	Coperchio scheda relé'	Cover relay board
6	30448	1	Fusibile 1 A 5x20	Fuse 1 A 5x20
7	31142	1	Scheda relay	Relay board
8	10844	6	Supporto scheda relé	Relay board support
9	61316	1	Staffa scheda relé'	Relay board support
10	31678	2	Relay Bosch 12V 30A	Relay
11	10855	4	Tirante M8x180 IS3.8/4.0	Tie rod
11	10857	4	Tirante M 8x230	Tie rod
11	10859	4	Tirante M 8x260	Tie rod
12	30921	2	Fusibile lamellare 30 A	Fuse 30 A
13	30926	1	Piastrina portafusibili	Fuse holder terminal
14	30925	2	Portafusibile	Fuse carrier
15	61311	2	Staffa	Bracket

IS 3.8/7/10 - 4.5/8/11.5

ALTERNATORE
ALTERNATOR

FIG. 1 / 1

Rev. / Rel.

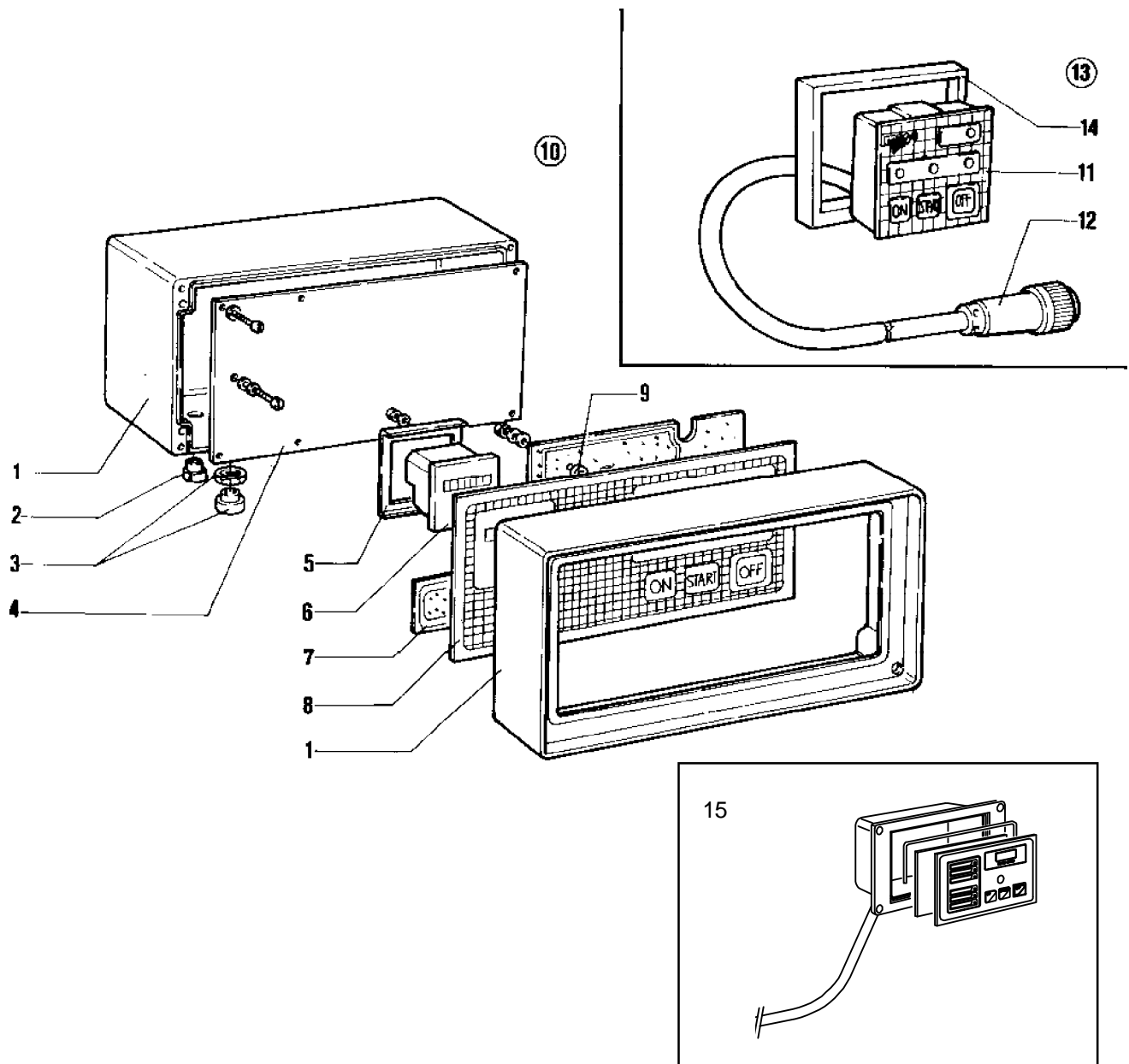
Rif.	Cod.	Qty.	Descrizione	Description
16	30701	1	Morsetteria KM6 70x45	Terminal strip
17	10537	2	Supporto Sarel	Support
18	70861	1	Convogliatore	Manifold
19	70769	1	Passacavo	Cable guide
20	80542	1	Regolatore carica batt.	Batt. charger regulator
21	30546	1	Terminale morsettiera	Terminal holder
22	30616	1	Morsettiera	Terminal board
23	31597	1	Portaspazzole con spazzole	Brush holder with brushes
24	31165	1	Regolatore di tensione	Voltage regulator
24*	32324	1	Regolatore di tensione IS 3,8/4,5	Voltage regulator IS 3,8/4,5
24*	32326	1	Regolatore di tensione IS 7/10	Voltage regulator IS7/10
24*	32361	1	Regolatore di tensione IS8 /11	Voltage regulator IS8/11
25	03827	1	Coperchio lato cuscinetto	Cover on bearing side
26	70908	1	Passacavo	Cable guide
27	70750	1	Boccola	Bushing
28	03828	1	Statore IS 3.8 50Hz	Stator
28	04441	1	Statore IS4.0 60 Hz.	Stator
28	04442	1	Statore IS8 60 Hz.	Stator
28	03832	1	Statore IS 10 50Hz	Stator
28	04443	1	Statore IS11.5 60 Hz.	Stator
29	61309	1	Fascia statore IS 3.8/4.0	Conveyor IS 3.8/4.0
29	61317	1	Fascia statore is 7/8	Stator housing
29	61321	1	Fascia statore IS 10/11.5	Stator housing
29	61321	1	Fascia statore IS 10/11.5	Stator housing
*	Dal 1999 intercambiabili con vecchio 31165			
*	From 1999 replaced the old code 31165			

IS 3.8/7/10 - 4.5/8/11.5

PANNELLO COMANDI
CONTROL PANEL

FIG. 1 / 1

Rev. / Rel.



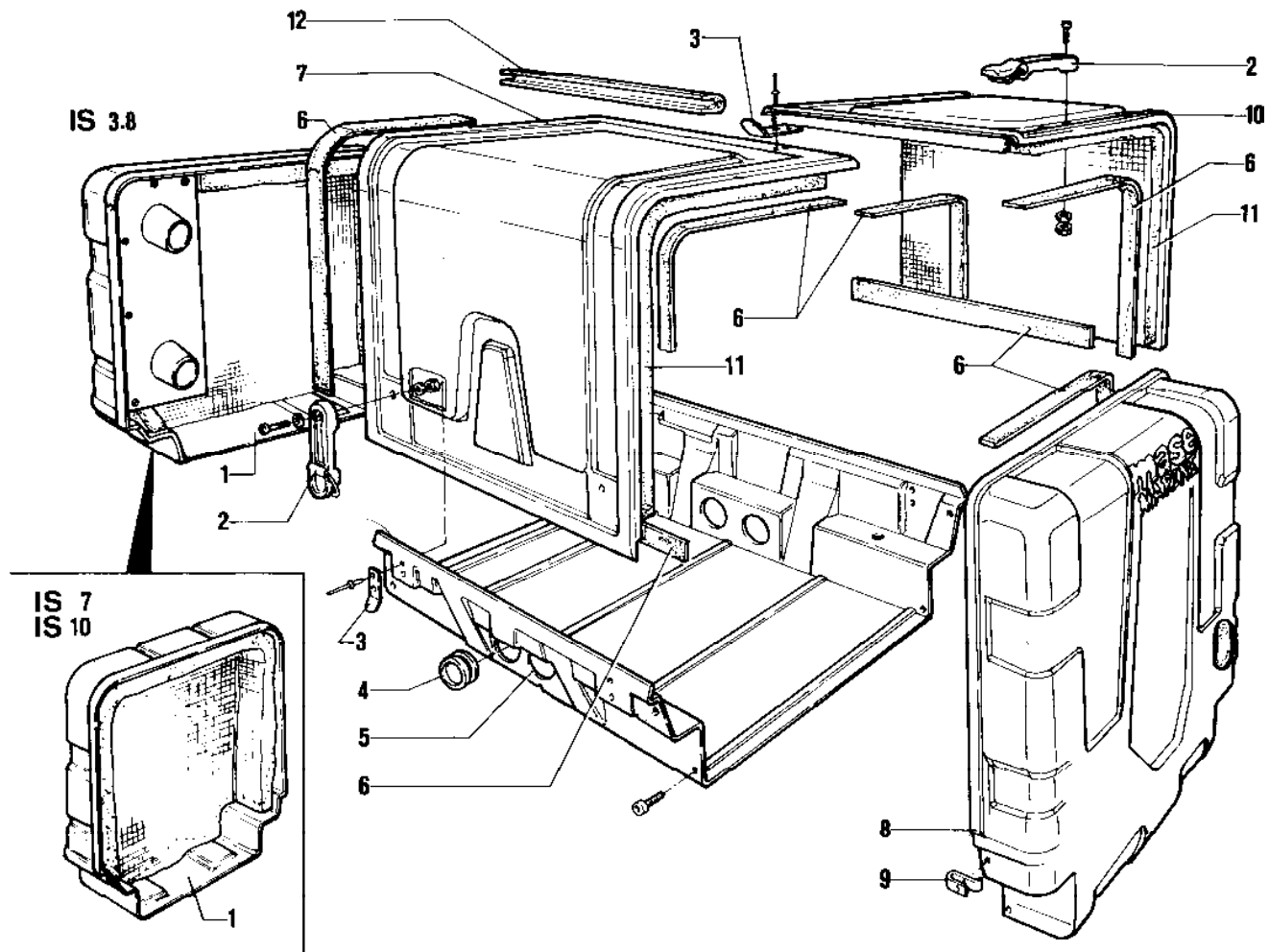
Rif.	Cod.	Qty.	Descrizione	Description
1	20529	1	Custodia ABS	Cover
2	70582	2	Blocca passacavo	Cable guide stop
3	20533	1	Innesto	Connection
4	20534	1	Piastra supporto cond.	Support
5	20532	1	Staffa contaore	Bracket
6	30474	1	Contaore 50 Hz 110V	Hourmeter
6	30475	1	Contaore 60 Hz 110 V	Hourmeter
7	90809	1	Scheda circuito stampato	Printet circuit
7A	91059	1	Scheda circuito stampato riparato	Printet circuit recuperate
8	20543	1	Pannello	Panel
9	90618	5	Distanziale pannello comandi	Spacer
10	31186	1	Pannello comandi (50Hz)	Control panel
10	31187	1	Pannello comandi (60Hz)	Control panel
11	90630	1	Pannello a distanza	Remote control panel
12	30904	1	Connettore	Connector
13	03808	1	Pannello a distanza completo	Remote control panel
14	70773	1	Pannello del comando distanza IS	Remote control panel cover
15*	07664	1	Comando a distanza IS2500	Remote control panel IS 2500
16	012195	1	Cavo + scatola	Cable + box
			* in sostituzione da rif.10-11-12-13	

IS 3.8/7/10 - 4.5/8/11.5

CASSA COMPLETA
COMPLETE FRAME

FIG. 1 / 1

Rev. / Rel.



Rif.	Cod.	Qty.	Descrizione	Description
1	011890	1	Cafano lato motore IS 3.8	Complete sound proof box engine
1	011885	1	Cofano lato motore IS 7/10	Complete sound proof box engine
2	04306-0	6	Cinghia IS2500 completa	Belt
3	10815	6	Fermo cinghia	Strap holder
4	10567	4	Passacavo	Cable guide
5	011891	1	Fondo cassa IS 3.8	Complete sound shield base IS 3.8
5	011886	1	Fondo cassa IS 7	Complete sound shield base IS 7
5	012756	1	Fondo cassa IS 10 completo	Complete sound shield base IS 10
6	70220	m.5	Guarnizione adesiva 20x8	Adhesive gasket 20 x 8
6	70220	m.6	Guarnizione adesiva 20x8	Adhesive gasket 20 x 8
6	70220	m.7	Guarnizione adesiva 20x8	Adhesive gasket 20 x 8
7	011892	1	Pannello SX IS 3.8	Complete left panel IS 3.8
7	011887	1	Pannello SX IS 7	Complete left panel IS 7
7	012757	1	Pannello SX IS 10 completo	Complete left panel IS 10
8	011893	1	Cofano lato alternatore IS 3.8	Complete soundproof box IS 3.8
8	011888	1	Cofano lato alternatore IS 7/10	Complete soundproof box IS 7/10
9	10823	10	Dado oteco M6	Nut
10	011894	1	Pannello DX is 3.8 completo	Complete right panel IS 3.8
10	011889	1	Pannello DX is 7 completo	Complete right panel IS 7
10	012758	1	Pannello DX is 10 completo	Complete right panel IS 10
11	70860	1	Kit fonoassorbente IS.3.8	Phonoabsorber IS 3.8
11	70865	1	Kit fonoassorbente IS.7/10	Phonoabsorber IS 7/10
12	70739	m.0,53	Profilato gomma 10 x 18	Joint
12	70739	m.0,64	Profilato gomma 10 x 18	Joint
12	70739	m.0,75	Profilato gomma 10 x 18	Joint