

SCHEMA ELETTRICO / WIRING DIAGRAM

EDIZIONE 2003

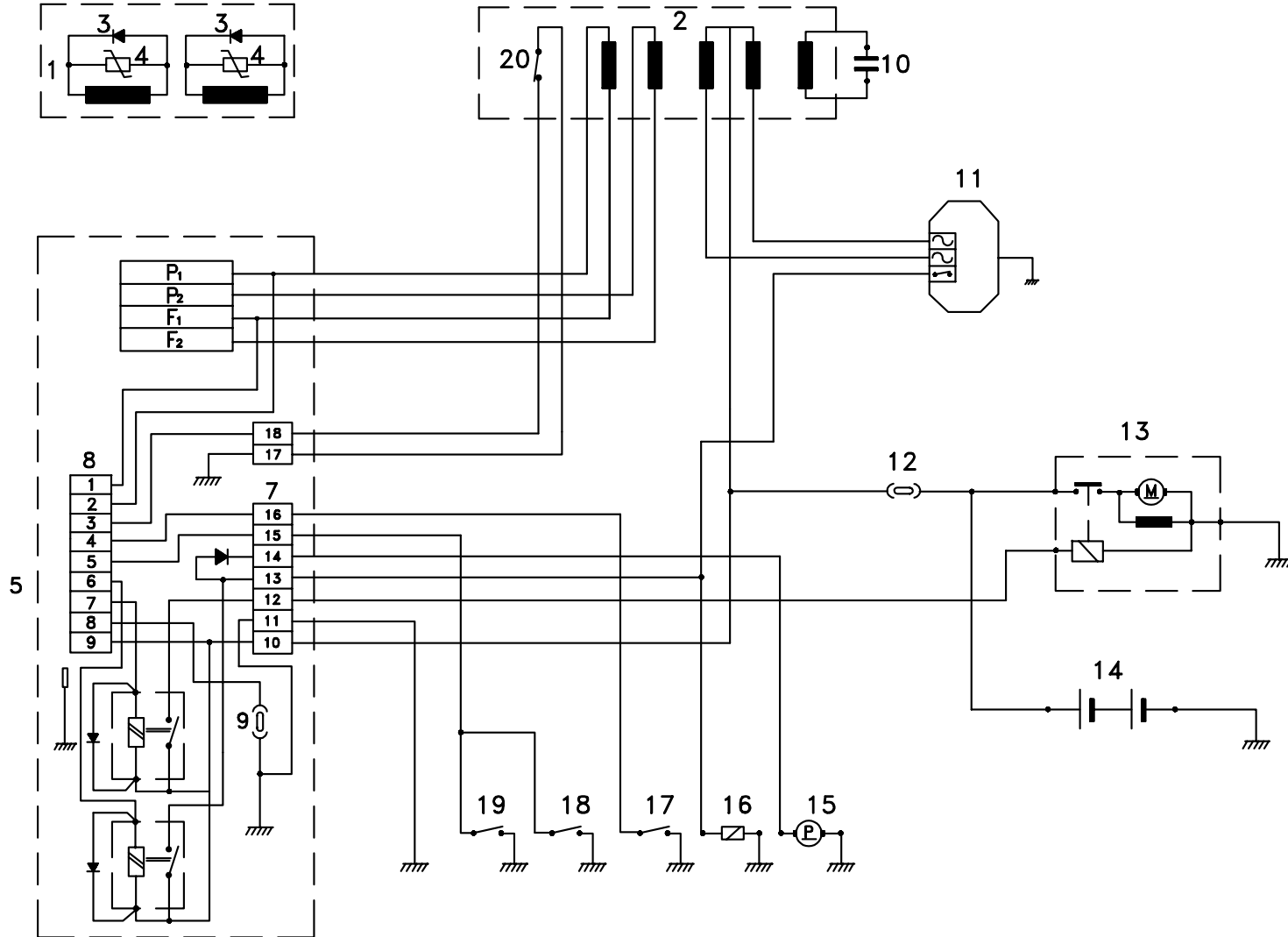
Nome macchina / Name

IS 2500-3500-4500-5500-3501-4501-5501

Codice / Code

Rev. / Rel.

mase
GENERATORS



SCHEMA ELETTRICO / WIRING DIAGRAM

EDIZIONE 2003

Nome macchina / Name

IS 2500-3500-4500-5500-3501-4501-5501

Codice / Code

Rev. / Rel.

mase
GENERATORS

1 ROTORE
2 STATORE
3 DIODO 3A
4 VARISTORE
5 SCHEDE RELAY
6 MORSETTIERA DI POTENZA
7 MORSETTIERA CIRCUITO RELAY
8 MORSETTIERA PANNELLO COMANDI
9 FUSIBILE 1A
10 CONDENSATORE 12,5 mF
11 REGOLATORE CARICA BATTERIA
12 FUSIBILE 20A
13 MOTORINO AVVIAMENTO
14 BATTERIA
15 POMPA COMBUSTIBILE
16 ELETTROVALVOLA STOP
17 PRESSOSTATO OLIO
18 TERMOSTATO TESTATA MOTORE
19 TERMOSTATO ACQUA
20 TERMOSTATO ALTERNATORE

1 ROTOR
2 STATOR
3 DIODE 3A
4 VARISTOR
5 PRINTED CIRCUIT RELAY
6 POWER TERMINAL BOARD
7 RELAY CIRCUIT TERMINAL BOARD
8 CONTROL PANEL TERMINAL BOARD
9 FUSE 1A
10 CAPACITOR
11 BATTERY CHARGER REGULATOR
12 FUSE
13 STARTER
14 BATTERY
15 FUEL PUMP
16 FUEL SOLENOID
17 OIL PRESSURE SWITCH
18 OVERHEAD ENGINE THERMOSTAT
19 WATER THERMOSTAT
20 ALTERNATOR THERMOSTAT

1 ROTOR
2 STATOR
3 DIODES 3A
4 VARISTOR
5 CIRCUIT IMPRIME'
6 BORNIER DE PUISSANCE
7 BORNIER CIRCUIT RELAIS
8 BORNIER TABLEAU COMMANDES
9 FUSIBLE 1A
10 CONDENSATEUR
11 REGULATEUR DE CHARGE
12 FUSIBLE
13 DÉMARREUR
14 BATTERIE
15 POMPE COMBUSTIBLE
16 ELECTRO-SOUPAPE STOP
17 PRESSOSTAT HUILE
18 THERMOSTAT TÊTE MOTEUR
19 THERMOSTAT EAU
20 THERMOSTAT ALTERNATEUR

1 ROTOR
2 STÄNDER
3 DIODEN 3A
4 VARISTOR
5 RELAYKCONTROLLTAFEL
6 STARKSTROMKLEMMENBRETT
7 RELAYSKLEMMENBRETT
8 SCHALTTAFELKLEMMENBRETT
9 SCHNELZSISCHERUNG 1 A
10 KONDENSATOR
11 KONTROLLTAFEL ELEKTRONISHE
 REGULIERUNG
12 SCHNELZSISCHERUNG
13 STARTMOTOR
14 BATTERIE
15 TREIBSTOFFPUMPE
16 ELEKTROVENTIL GASÖL
17 OELDRUCKSCHALTER
18 MOTORKOPFTHERMOSTAT
19 WASSERTHERMOSTAT
20 GENERATOR THERMOSTAT

1) ROTOR
2) STATOR
3) DIODO
4) VAIRISTOR
5) ESQU ELA RÉLAY
6) BORNE DE POTENCIA
7) BORNE CIRCUITO RÉLAY
8) BORNE PANELO CONTROL
9) FUSIBLE 1 A
10) CONDENSADOR
11) REGULADOR CARGA BATERIA
12) FUSIBLE
13) PEQUENO MOTOR DE ARRANQUE
14) BATERIA
15) POMPA COMBUSTIBLE
16) ELÉCTROVALVULA STOP
17) PRESOSTAT ACEITE
18) TERMOSTAT CABEZA MOTOR
19) TERMOSTAT AGUA
20) TERMOSTAT ALTERNADOR

1) rotor
2) stator
3) diode (3 A)
4) varistor
5) relaisboard bedieningsgedeelte
6) aansluitingen vermogens afname
7) aansluitingen relais
8) aansluitingen bedieningspaneel
9) zekering (1 A)
10) condensator
11) laadstroomregelaar
12) zekering
13) startmotor
14) accu
15) elektrische opvoerpomp brandstof
16) brandstofklep
17) oliedrukschakelaar
18) temperatuurschakelaar motor
19) temperatuurschakelaar uitlaat
20) temperatuurschakelaar generator