

Version

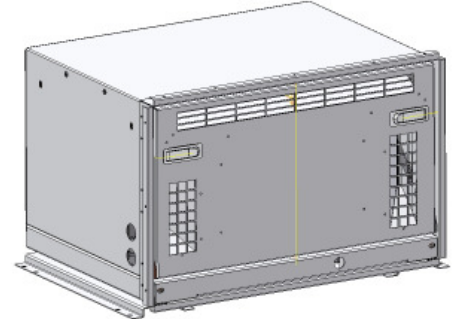
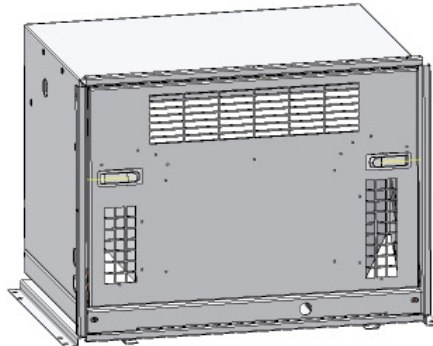
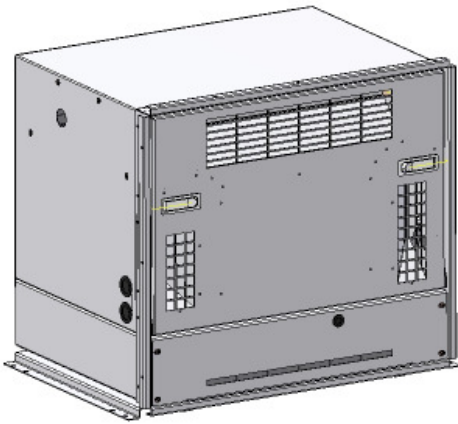
- with fuel tank
- with muffler inside canopy

Version

- without fuel tank
- with muffler inside canopy

Version

- without fuel tank
- with external muffler



Remote control panel

The generator control panel was designed to include, in only one single panel, all switches, control and protection devices. Components are the following :

- Multifunction display showing V,Hz,rpm,h,V_{batt}
- Start / stop button.
- AUTO mode push-button for starting from external contact.
- Generic alarm lamp with message on display for start failure, stop failure, low oil level, high engine temperature, overspeed, low battery voltage, low alternator voltage, low-frequency, internal memory error.
- Connection cable to remote panel.

Engine

- Easy access to feeding system and lubrication maintenance.
- Safety shutdown in case of low oil pressure and high water temperature.
- Easy access to oil and fuel filter.

Alternator

- Synchronous, 2 poles, self-excited, self-regulated, brushless.
- Rotor and stator epoxy resin coated against external agents.
- Rotor dynamically balanced.
- Insulation class H.

Soundproof cabin

A new project and a new great design. Main frame made of painted steel with a special strong coat against external agents. Excellent accessibility for easier maintenance services, even if generator is installed in narrow site.

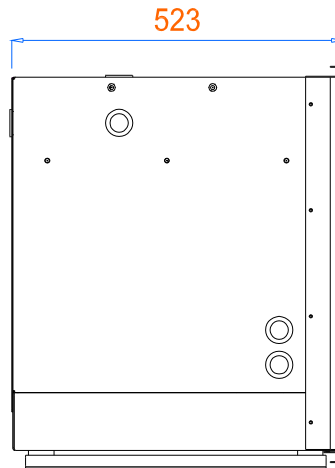
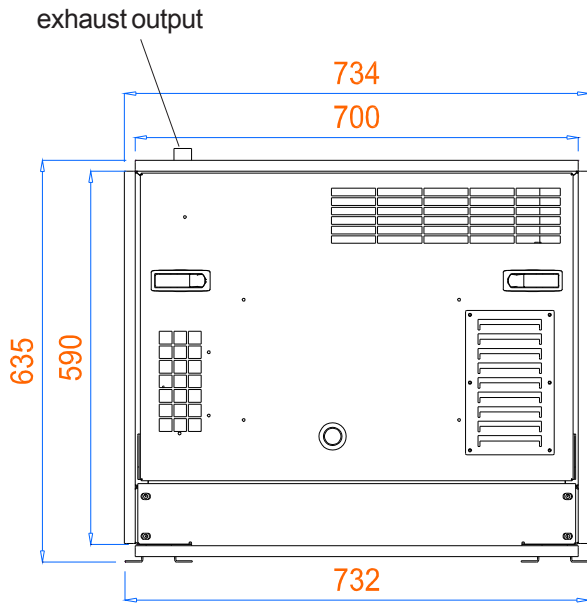
Technical features

ENGINE		
Model		Honda GX390 OHV
Type		Unleaded gasoline, 4 stroke
Power	hp	11,7
Cylinders	n°	1
Displacement	cm ³	389
Cooling		Air
Air intake		Natural
RPM	rpm	3600
Oil sump capacity	L	1
Consumption (3/4 load)	L/h	2,8
Starter		Electric
Battery	(Ah-V)	24 - 12

ALTERNATOR		
Type		Synchronous, Self-excited, 2-poles
Max. power	kW	6
Cont. power	kW	5
Power Factor (cos Φ)		1
Voltage	V	240-120
Frequency	Hz	60
Voltage regulator		Capacitor
Insulation class		H

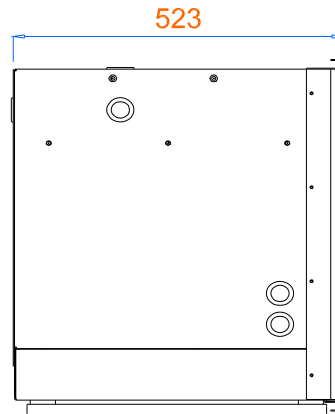
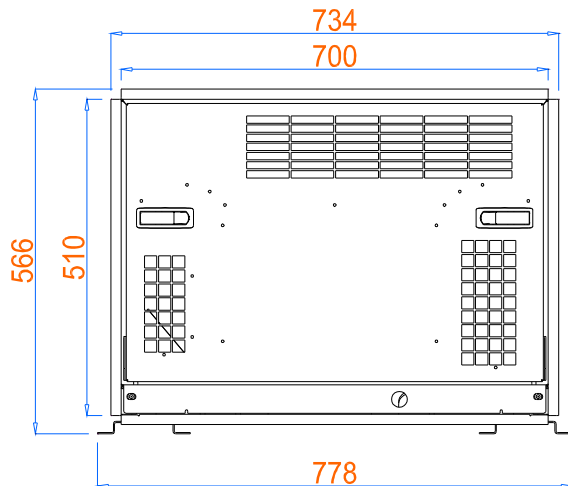
Noise level	dB	61 dB at 7 mt.
-------------	----	----------------

VOYAGER 7000 B



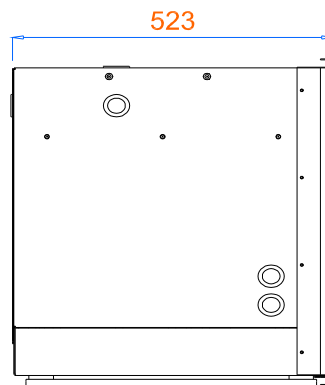
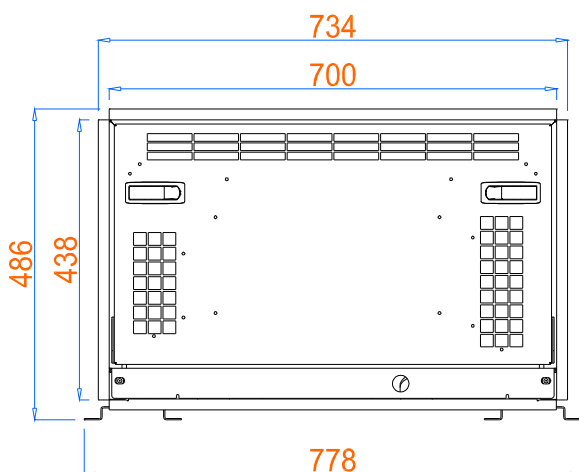
Version
- fuel tank 17 Liters
- with muffler inside canopy

Weight: 155 kg



Version
- without fuel tank
- with muffler inside canopy

Weight: 140 kg



Version
- without fuel tank
- with external muffler

Weight: 125 kg

Dealer:

*This drawing is only a reference and is not indicated for the installation.
For more information, you may contact your local dealer or **mase generators S.p.A.***

mase generators S.p.A. reserves the right to change the design or specifications without notice and without any obligations or liability whatsoever. For more information, you may contact your local **mase** dealer.