



Remote control panel

The gen-set control panel was designed to include, in one single panel, the switches, control devices and the protection devices. The components are the following :

- Digital Hour-meter.
- Start-stop button.
- Warning lamps for high temperature, low oil pressure, generator running, low fuel level.
- Cable for remote connection, length 10 mt.

Engine

- Easy access for feeding system and lubrication's maintenance
- Safety shutdown in case of low oil pressure.
- Safety shutdown in case of high water temperature.
- Easy access oil and fuel filters.

Alternator

- Synchronous, 2 poles, brushless self-excited, self-regulated.
- Rotor and stator epoxy resin coated against external agents.
- Rotor dynamically balanced.
- Insulation class H.

Soundproof cabin

A new project and a new great design. It is done with a frame structure made of steel and a new aluminum cover painted with a special strong varnish against all external agents. Excellent accessibility inside the genset makes also easier maintenance services even with genset installed in narrow site.

ENGINE

Model	Yanmar L48N
Type	Diesel 4 stroke
Cylinders (nr.)	1
Displacement (cc)	219
Power (hp)	4,7
RPM	3600
Fuel	Diesel
Speed governor	Centrifugal, mechanical
Lubrication system	Forced
Oil sump capacity (lt)	0,6
Fuel consumption (l/h)	0,8
Starting battery (Ah-V)	12
Battery charger (Ah-V)	10 - 12

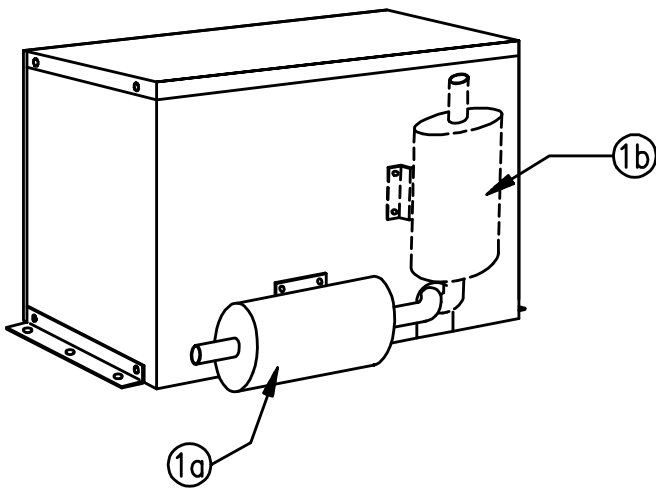
ALTERNATOR

Type	Synchronous type 2-poles, auto excited
Cooling	Air
Voltage (V)	120 - 240
Frequency (Hz)	60
Insulating class	H
Voltage stability	±10%
Frequency stability	±5%

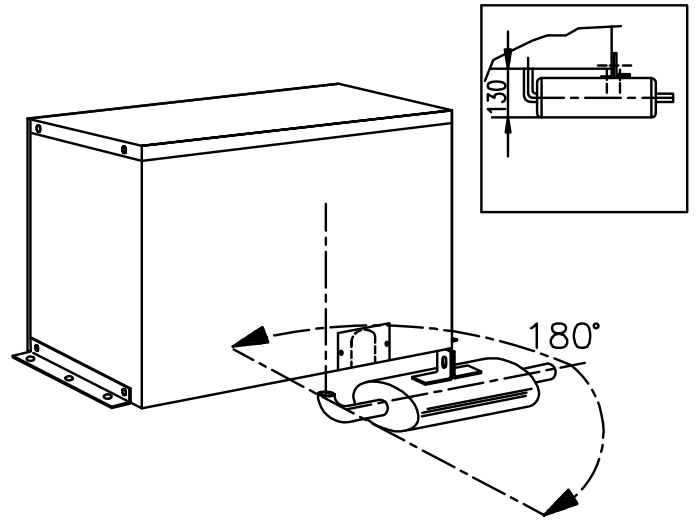
Max. power	2,2 kW
Continuous power	1,9 kW
Power factor (cos ϕ)	1

Dimension (L x W x H)	580 x 430 x 430 mm
Weight	80 Kg.
Noise level	63 dBA at 7mt

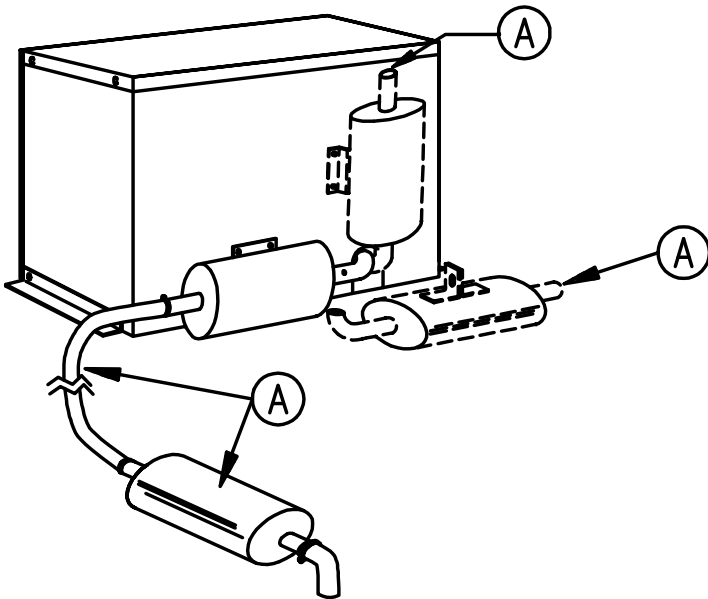
Examples of muffler installations



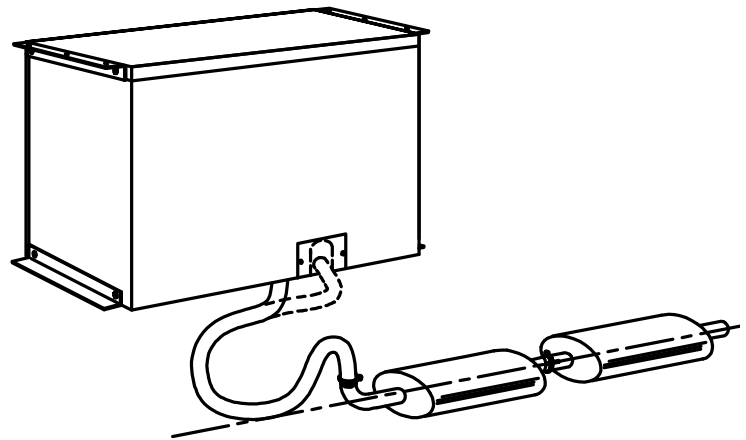
a) Rear exhaust side
1a) Horizontal muffler
1b) Vertical muffler



b) Bottom exhaust side



c) Bottom and rear exhaust side plus silencer



d) Muffler and silencer joined by flexible pipe

Dealer:

*This drawing is only a reference and is not indicated for the installation. For more information, you may contact your local dealer or **mase** generators S.p.A..*

mase generators S.p.A. reserves the right to change the design or specifications without notice and without any obligations or liability whatsoever. For more information, you may contact your local **mase** dealer.